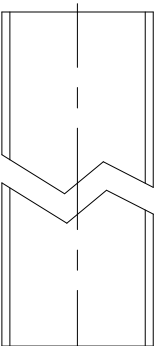
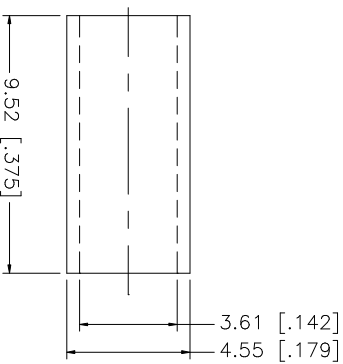
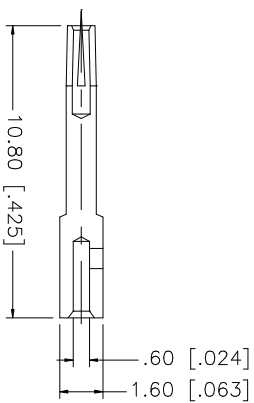
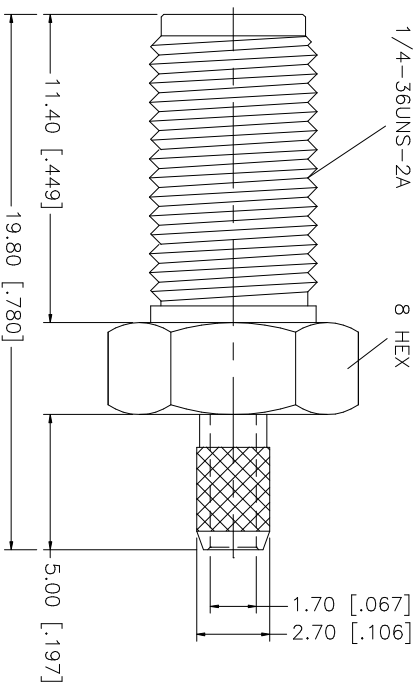
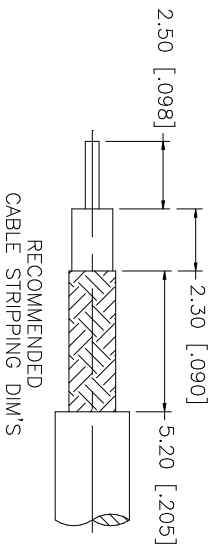


REV.	DATE	DESCRIPTION
A-1	01/25/04	UPDATE DRAWING FORMAT



- NOTE:
1. CRIMPED FERRULE
 2. HEX CRIMP SIZE .151"
 3. MAX. PANEL THICKNESS = 3.2mm

NO.	DESCRIPTION	MATERIAL	FINISH	QTY	UNLESS OTHERWISE SPECIFIED DIMENSIONS ARE IN MILLIMETERS. DIMENSIONS IN [] ARE IN INCHES AND FOR CUSTOMER REFERENCE ONLY. TOLERANCES FOR MILLIMETERS ARE:	APPROVALS	DATE	PART DESCRIPTION							
8					UNLESS OTHERWISE SPECIFIED DIMENSIONS ARE IN MILLIMETERS. DIMENSIONS IN [] ARE IN INCHES AND FOR CUSTOMER REFERENCE ONLY. TOLERANCES FOR MILLIMETERS ARE: 0.5 - 8mm ± 0.20mm 8 - 30mm ± 0.40mm 30 - 120mm ± 0.50mm	DRAWN	G.R.S.	01/25/04	SMA STRAIGHT CRIMP JACK (FOR RG-316/U DOUBLE BRAID CABLE)						
7						CHECKED									
6						ISSUED									
5	HEAT SHRINK TUBING		BLACK	1	UNLESS OTHERWISE SPECIFIED DIMENSIONS ARE IN MILLIMETERS. DIMENSIONS IN [] ARE IN INCHES AND FOR CUSTOMER REFERENCE ONLY. TOLERANCES FOR MILLIMETERS ARE: .020 - .315 = ± 0.007" .315 - 1.180 = ± 0.015" 1.180 - 4.724 = ± 0.020"	SHEET	1 OF 1								
4	FERRULE	COPPER	GOLD	1											
3	CONTACT PIN	BER. COPPER	GOLD	1											
2	INSULATOR	TEFLON	NATURAL	1											
1	BODY	BRASS	GOLD	1											
	DESCRIPTION	MATERIAL	FINISH	QTY	DO NOT SCALE DRAWING	CAD FILE	C:/132/132198.DWG	DWG. NO.	132198.DWG	REV.	A-1	SIZE	A	SCALE	NA

Amphenol Connex